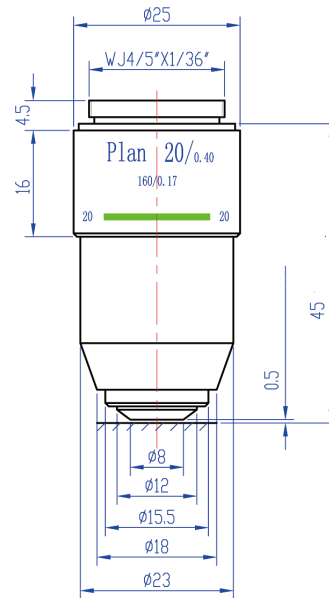
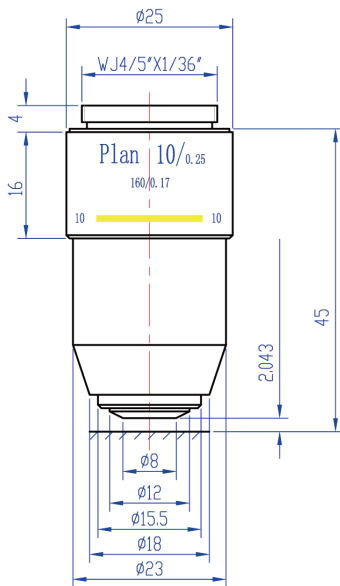
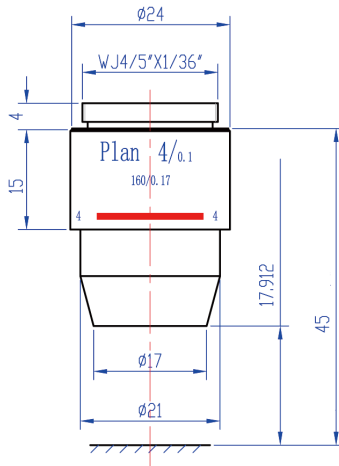




# Shanghai Optics



## PLAN ACHROMATIC DW-PD MODEL



### OBJECTIVE LENS

### EYE LENS(WF 10/25)

	N.A.	W.D.	EFFL F'(MM)	RESOLUTION R(UM)	PHYSICAL DEPTH OF FOCUS +/-DELTA P(UM)	CONJUGATE	OVERALL MAGNIFICATION	OBJECT FIELD	DEPTH OF FOCUS =DELTA (UM)
A-PLAN 4X DW-PD	0.10	17.912	28.9	2.8	27.5	195	40X	Ø 5.0	63.2
A-PLAN 10XDW-PD	0.25	2.043	15.37	1.1	4.4	195	100X	Ø 2.0	10.1
A-PLAN 20XDW-PD	0.40	0.5	8.4	0.7	1.7	195	200X	Ø 1.0	3.5