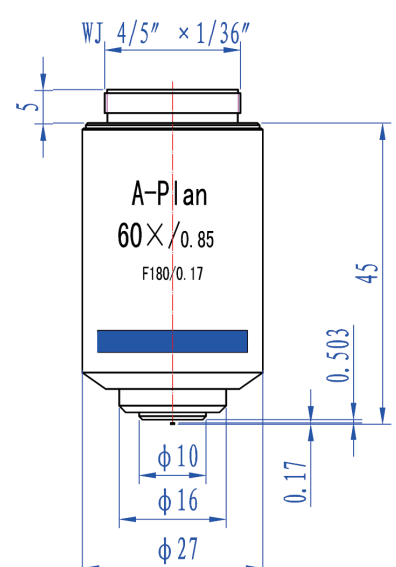
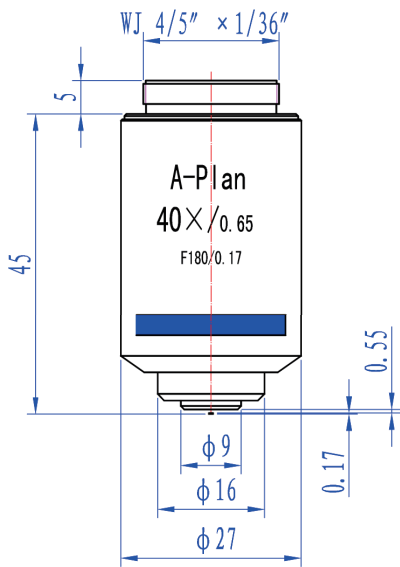
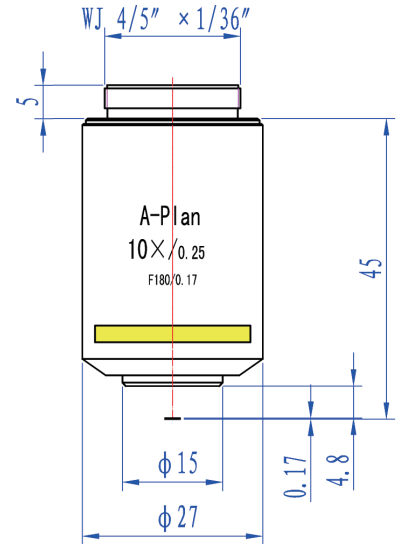
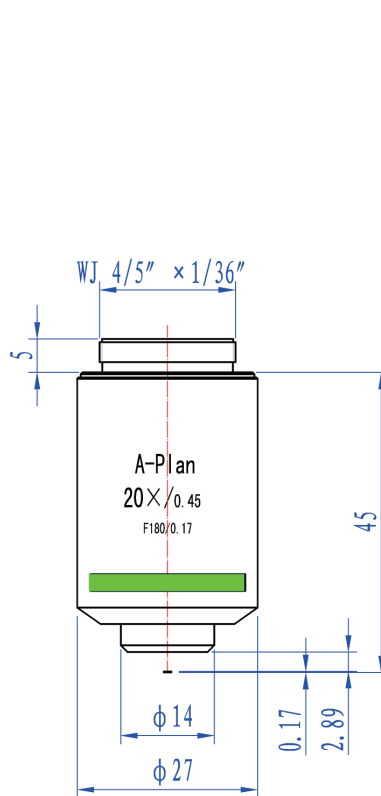
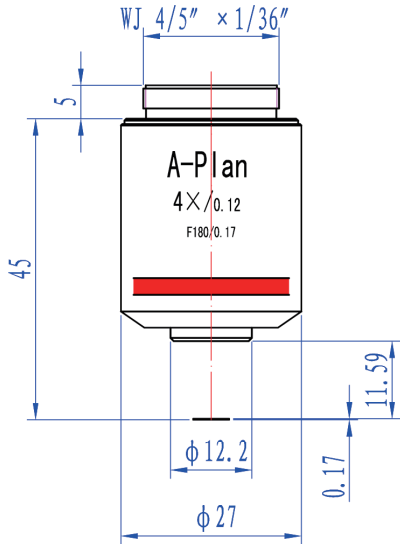




Shanghai Optics



PLAN ACHROMATIC



OBJECTIVE LENS

EYE LENS(WF 10/25)

	N.A.	W.D.	EFFL F'(MM)	RESOLUTION R(UM)	PHYSICAL DEPTH OF FOCUS +/-DELTA P(UM)	CONJUGATE	OVERALL MAGNIFICATION	OBJECT FIELD	DEPTH OF FOCUS =DELTA (UM)
A-PLAN 4X	0.12	11.59	45	2.3	27.5	∞	40X	∅ 6.25	48.9
A-PLAN 10X	0.12	4.80	18	1.1	4.4	∞	100X	∅ 2.5	10.1
A-PLAN 20X	0.45	2.89	9	0.6	1.4	∞	200X	∅ 1.25	2.9
A-PLAN 40X	0.65	0.55	4	0.4	0.7	∞	400X	∅ 0.625	1.2
A-PLAN 60X	0.85	0.503	3	0.3	0.4	∞	600X	∅ 0.4	0.7