



YOUR **CUSTOM** OPTICS EXPERTS

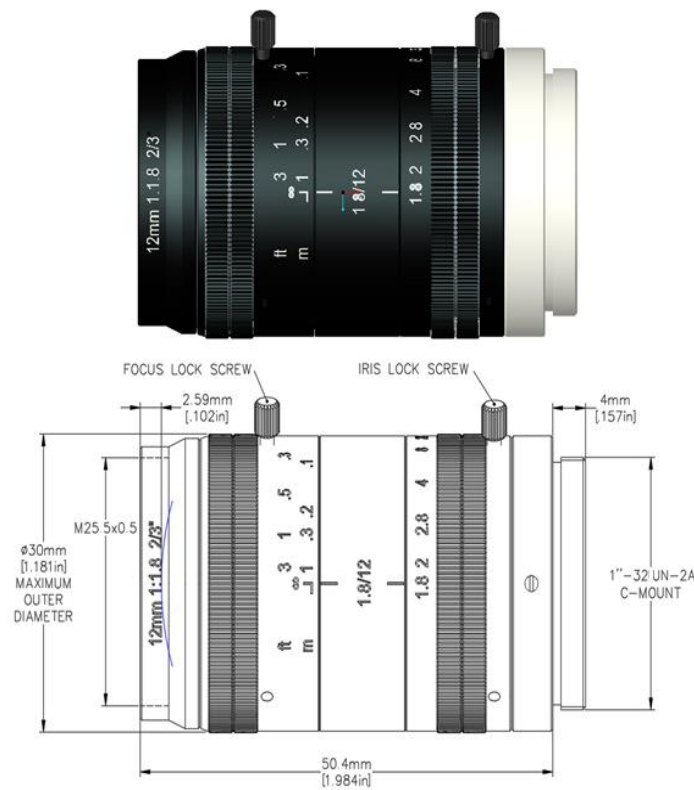


Stock
Megapixel Lens
Data Sheet

12mm Lens Datasheet

Model # : SO-MP-02-2B

Lens Dimensions



: www.shanghai-optics.com

: rfq@shanghai-optics.com

: 732-321-6915

Features

- Large Aperture
- High Resolution Lens
- High Transmission Lens with Multilayer Antireflection Coating for each Lens Element
- High Refractive Index and Low Dispersion Glass used for Improving Lens Performance
- All Glass Elements and Full-metal Structure
- 2/3" 10 Megapixel Sensor Lens
- Manual Focus and Iris Control
- C-mount (1"-32) Thread
- Locking Screws for Focus and Iris

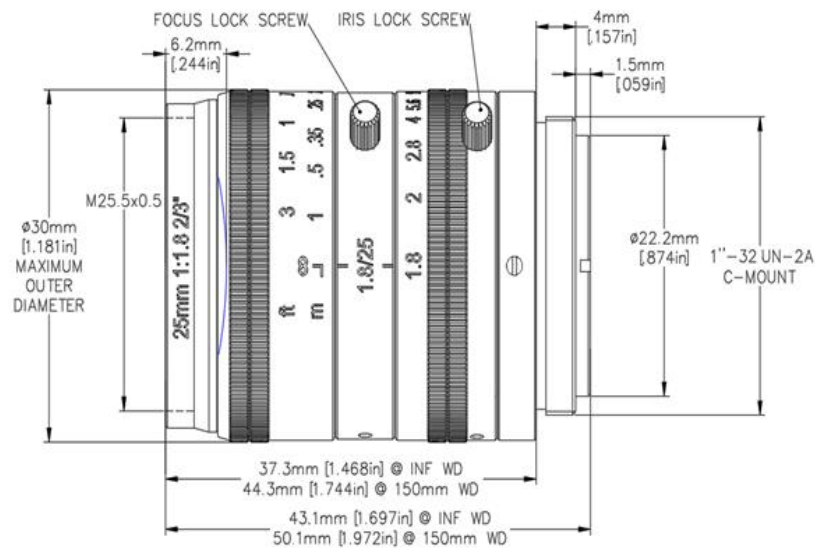
Lens Specifications


Model		SO022B00
Maximum Sensor Format		2/3"
Resolution		200lp/mm (2.5um)
Focal Length		12mm
Aperture		F1.8~22
Field of View (Dia /Hor /Vert)	2/3"	D50.4°/ H40.9°/ V31°
	1/1.8"	D41.5°/ H33.7°/ V25.2°
	1/2"	D37.3°/ H30.1°/ V22.7°
Distortion	2/3"	-2.19%@y=5.5mm
	1/1.8"	-1.51%@y=4.5mm
	1/2"	-1.13%@y=4mm
Focusing Range		0.06m ~ ∞
Flange Focal Distance		17.526mm
Control	Focus	Manual
	Iris	Manual
Mount		C-Mount
Filter Thread		M25.5X0.5
Working Temperature		-10°C~+50°C

25mm Lens Datasheet


Model # : SO-MP-02-3B

Lens Dimensions



 : www.shanghai-optics.com

 : rfq@shanghai-optics.com

 : 732-321-6915

Features

- Large Aperture
- High Resolution and Low Distortion
- High Transmission Lens with Multilayer Antireflection Coating for each Lens Element
- High Refractive Index and Low Dispersion Glass used for Improving Lens Performance
- All Glass Elements and Full-metal Structure
- 2/3" 10 Megapixel Sensor Lens
- Manual Focus and Iris Control
- C-mount (1"-32) Thread
- Locking Screws for Focus and Iris

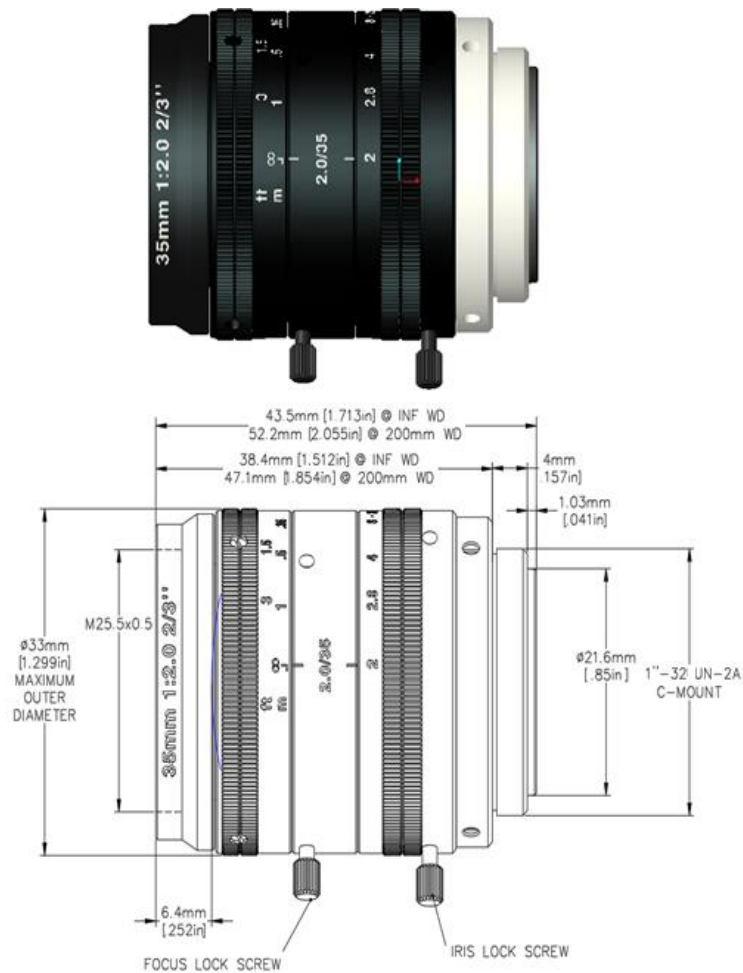
Lens Specifications

Model		SO023B00
Maximum Sensor Format		2/3"
Resolution		200lp/mm (2.5um)
Focal Length		25mm
Aperture		f/1.8 ~ f/16
Field of View (Dia /Hor / Vert)	2/3"	D25.0°/ H20.1°/ V15.1°
	1/1.8"	D20.4°/ H16.4°/ V12.2°
	1/2"	D18.3°/ H14.6°/ V11.0°
Distortion	2/3"	-0.72%@y=5.5mm
	1/1.8"	-0.47%@y=4.5mm
	1/2"	-0.38%@y=4mm
Focusing Range		0.13m ~ ∞
Flange Focal Distance		17.526mm
Control	Focus	Manual
	Iris	Manual
Mount		C-Mount
Filter Thread		M25.5X0.5
Working Temperature		-10°C ~ +50°C


35mm Lens Datasheet


Model # : SO-MP-02-4B

Lens Dimensions



 : www.shanghai-optics.com

 : rfq@shanghai-optics.com

 : 732-321-6915

Features

- Large Aperture
- High Resolution and Low Distortion
- High Transmission Lens with Multilayer Antireflection Coating for each Lens Element
- High Refractive Index and Low Dispersion Glass used for Improving Lens Performance
- All Glass Elements and Full-metal Structure
- 2/3" 10 Megapixel Sensor Lens
- Manual Focus and Iris Control
- C-mount (1"-32) Thread
- Locking Screws for Focus and Iris

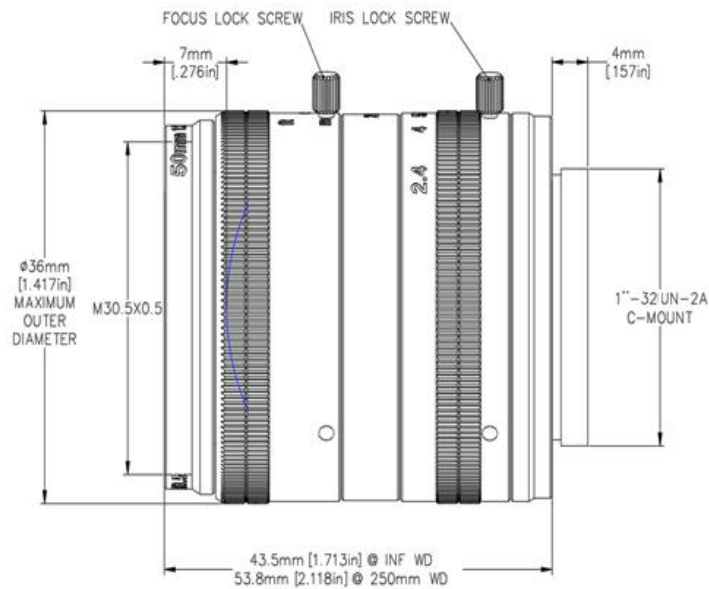
Lens Specifications

Model		SO024B00
Maximum Sensor Format		2/3"
Resolution		200lp/mm (2.5um)
Focal Length		35mm
Aperture		f/2.0 ~ f/22
Field of View (Dia /Hor / Vert)	2/3"	D17.9° / H14.3° / V10.9°
	1/1.8"	D14.6° / H11.8° / V8.7°
	1/2"	D13.1° / H10.6° / V7.9°
Distortion	2/3"	-0.16%@y=5.5mm
	1/1.8"	-0.11%@y=4.5mm
	1/2"	-0.06%@y=4mm
Focusing Range		0.18m ~ ∞
Flange Focal Distance		17.526mm
Control	Focus	Manual
	Iris	Manual
Mount		C-Mount
Filter Thread		M25.5x0.5
Working Temperature		-10°C ~ +50°C

50mm Lens Datasheet

Model # : SO-MP-02-0B

Lens Dimensions



www.shanghai-optics.com

rfq@shanghai-optics.com

732-321-6915

Features

- Large Aperture
- High Resolution and Low Distortion
- High Transmission Lens with Multilayer Antireflection Coating for each Lens Element
- High Refractive Index and Low Dispersion Glass used for Improving Lens Performance
- All Glass Elements and Full-metal Structure
- 2/3" 10 Megapixel Sensor Lens
- Manual Focus and Iris Control
- C-mount (1"-32) Thread
- Locking Screws for Focus and Iris

Lens Specifications

Model		SO020B00
Maximum Sensor Format		2/3"
Resolution		200lp/mm (2.5um)
Focal Length		50mm
Aperture		f/2.4 ~ f/22
Field of View (Dia / Hor / Vert)	2/3"	D12.6° / H10.0° / V7.5°
	1/1.8"	D10.2° / H8.3° / V6.1°
	1/2"	D9.2° / H7.3° / V5.5°
Distortion	2/3"	-0.01%@y=5.5mm
	1/1.8"	-0.01%@y=4.5mm
	1/2"	-0.007%@y=4mm
Focusing Range		0.25m ~ ∞
Flange Focal Distance		17.526mm
Control	Focus	Manual
	Iris	Manual
Mount		C- Mount
Filter Thread		M30.5x0.5
Working Temperature		-10°C ~ +50°C